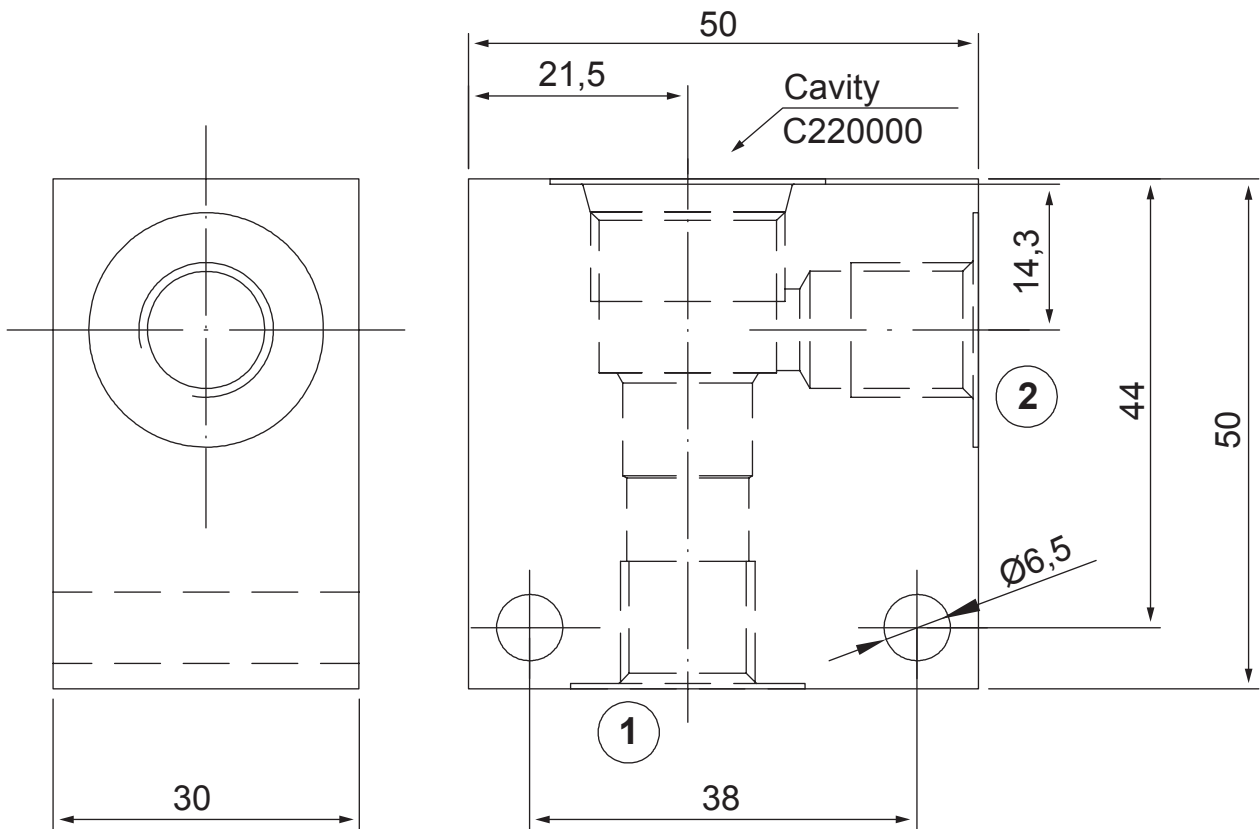


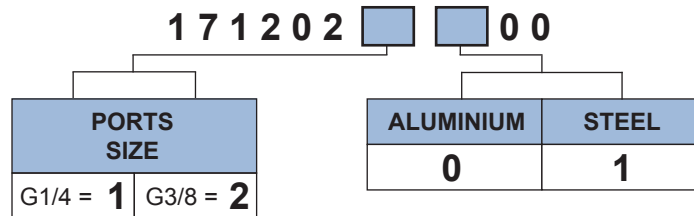
STANDARD BODIES



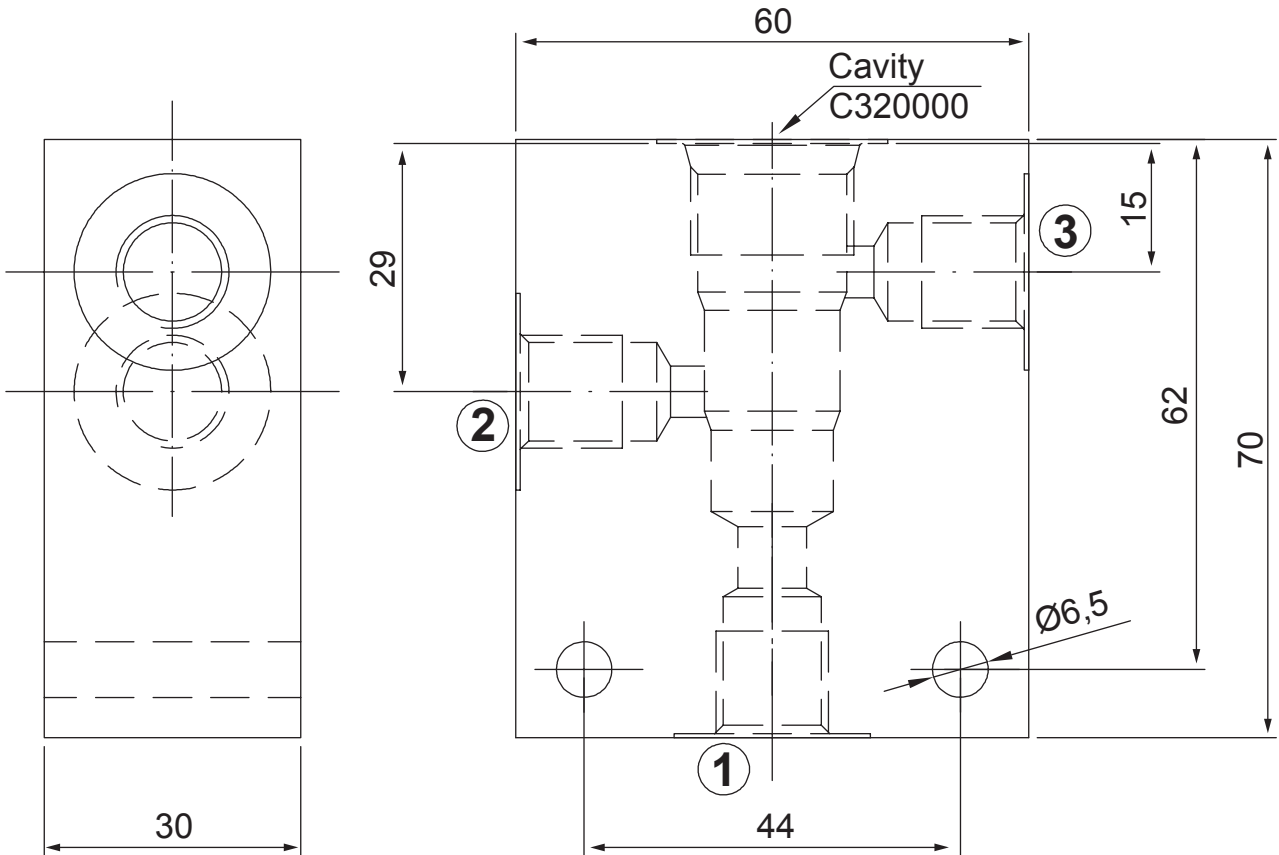
STANDARD BODY FOR LINE MOUNTING



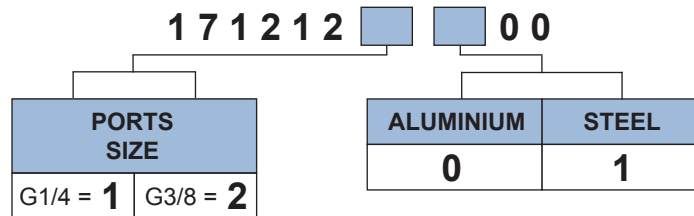
Ordering code



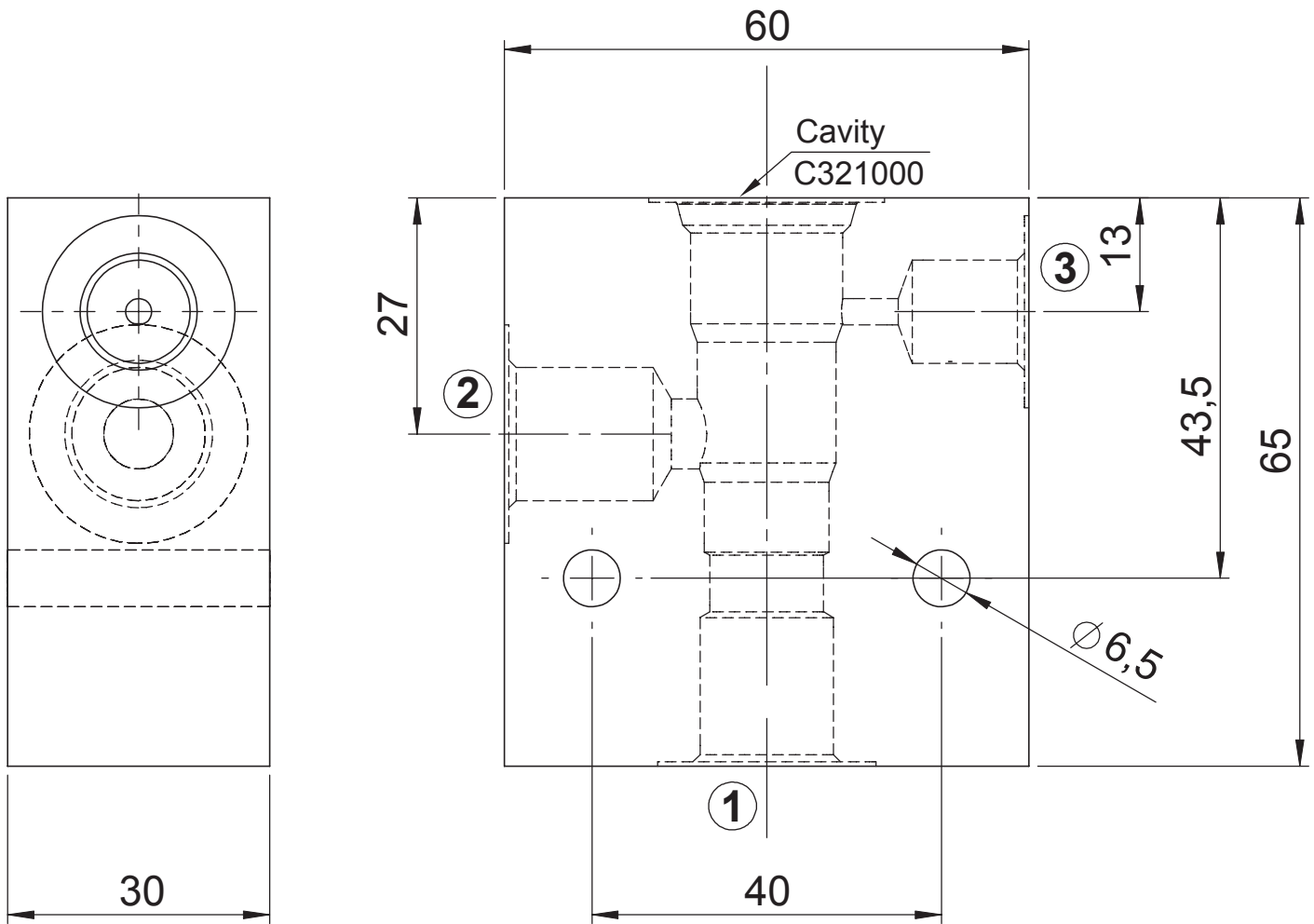
STANDARD BODY FOR LINE MOUNTING



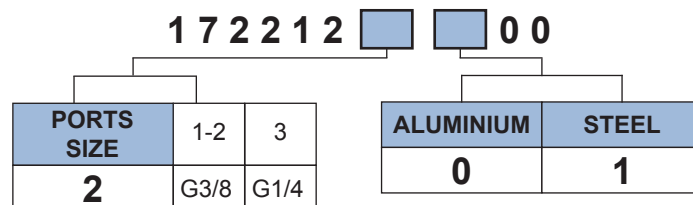
Ordering code



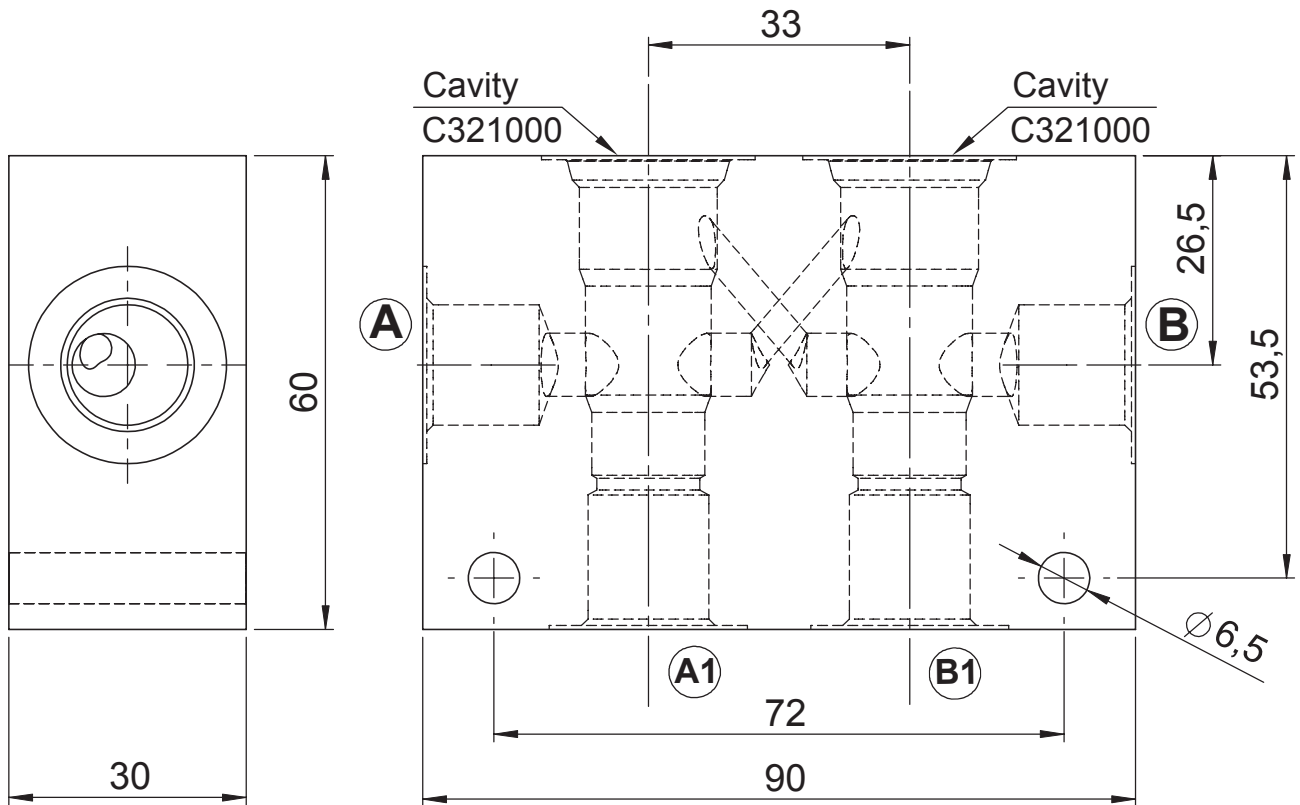
STANDARD BODY FOR LINE MOUNTING COUNTERBALANCE VALVES



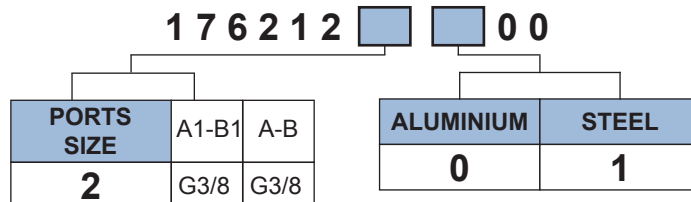
Ordering code



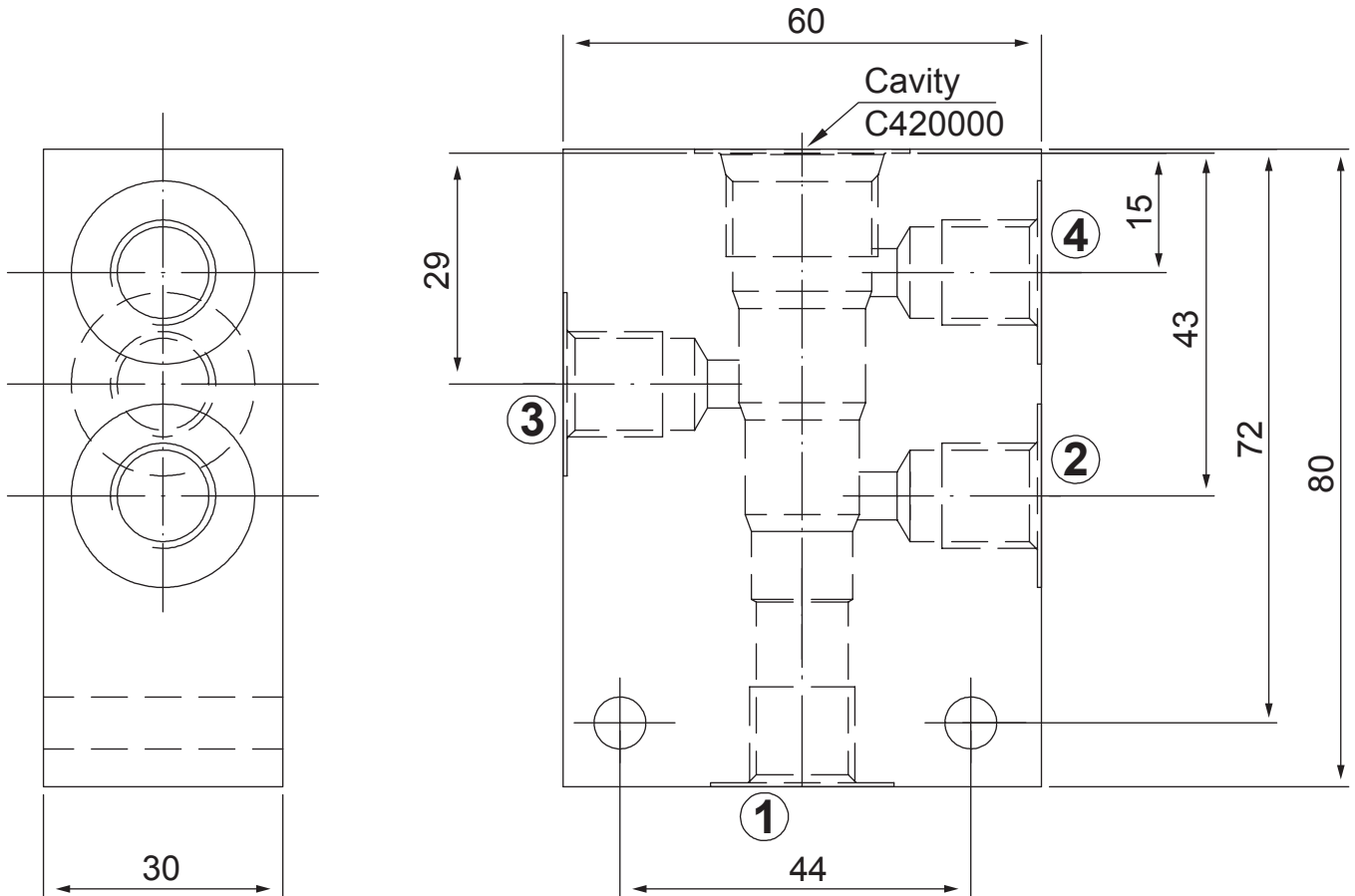
STANDARD BODY FOR LINE MOUNTING COUNTERBALANCE VALVES DOUBLE CAVITY



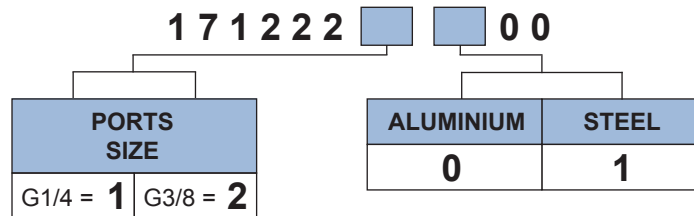
Ordering code



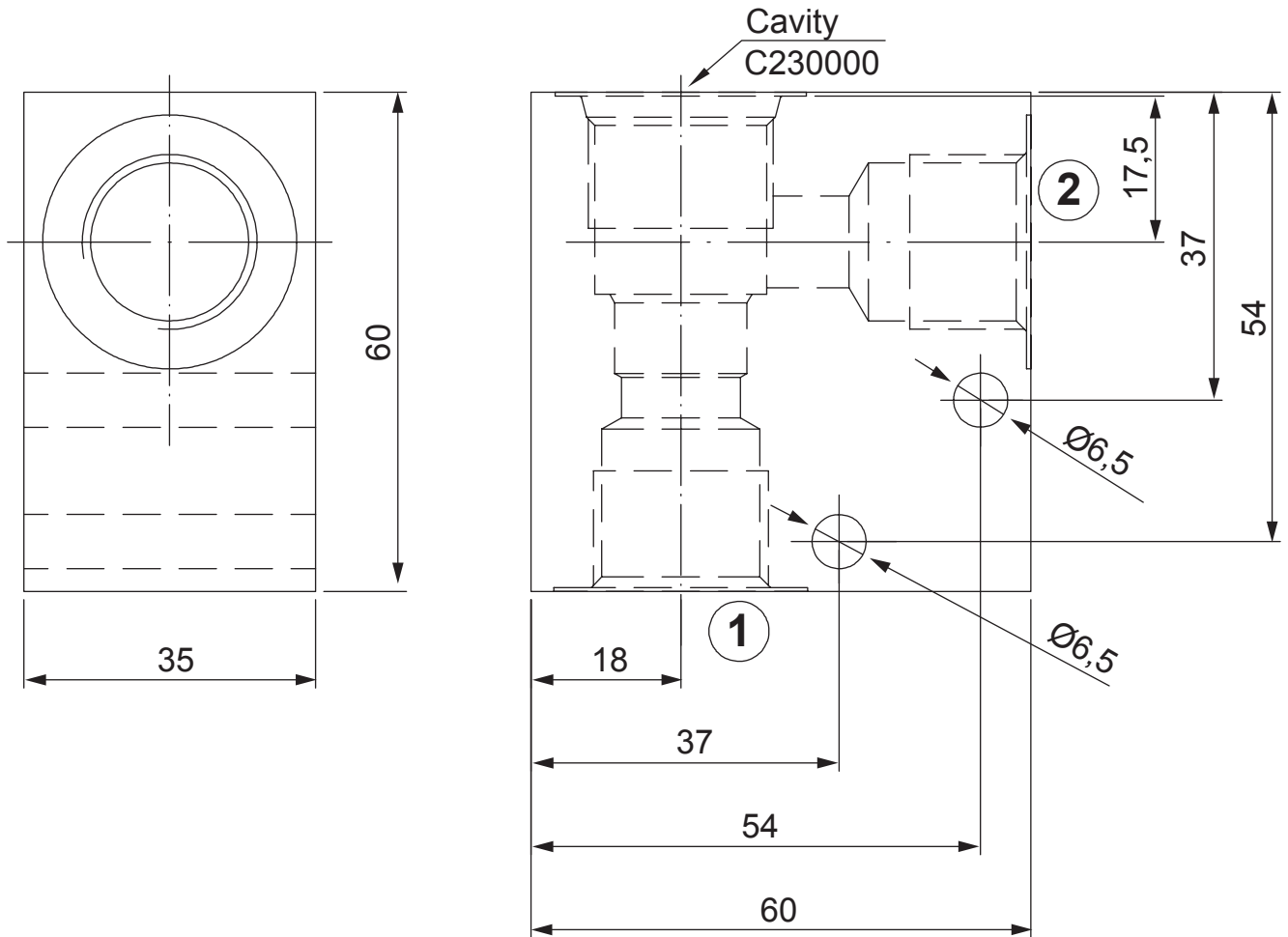
STANDARD BODY FOR LINE MOUNTING



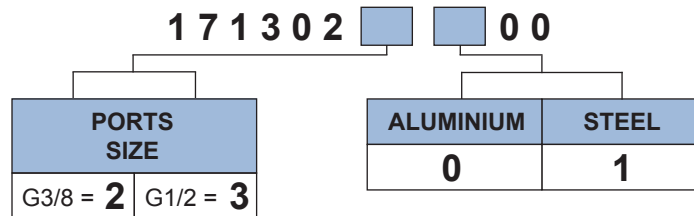
Ordering code



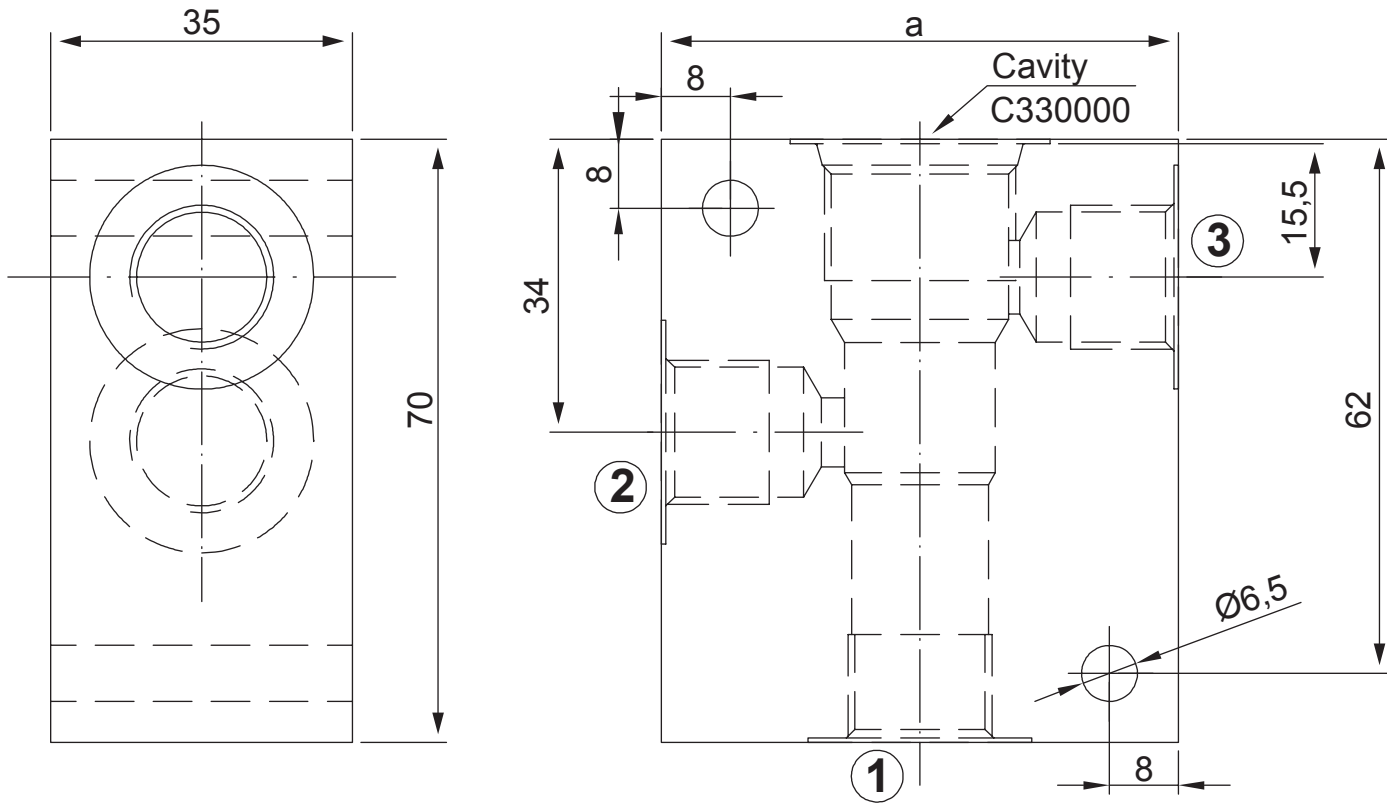
STANDARD BODY FOR LINE MOUNTING



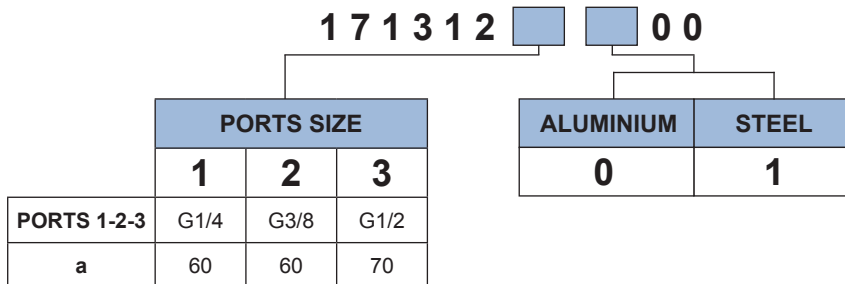
Ordering code



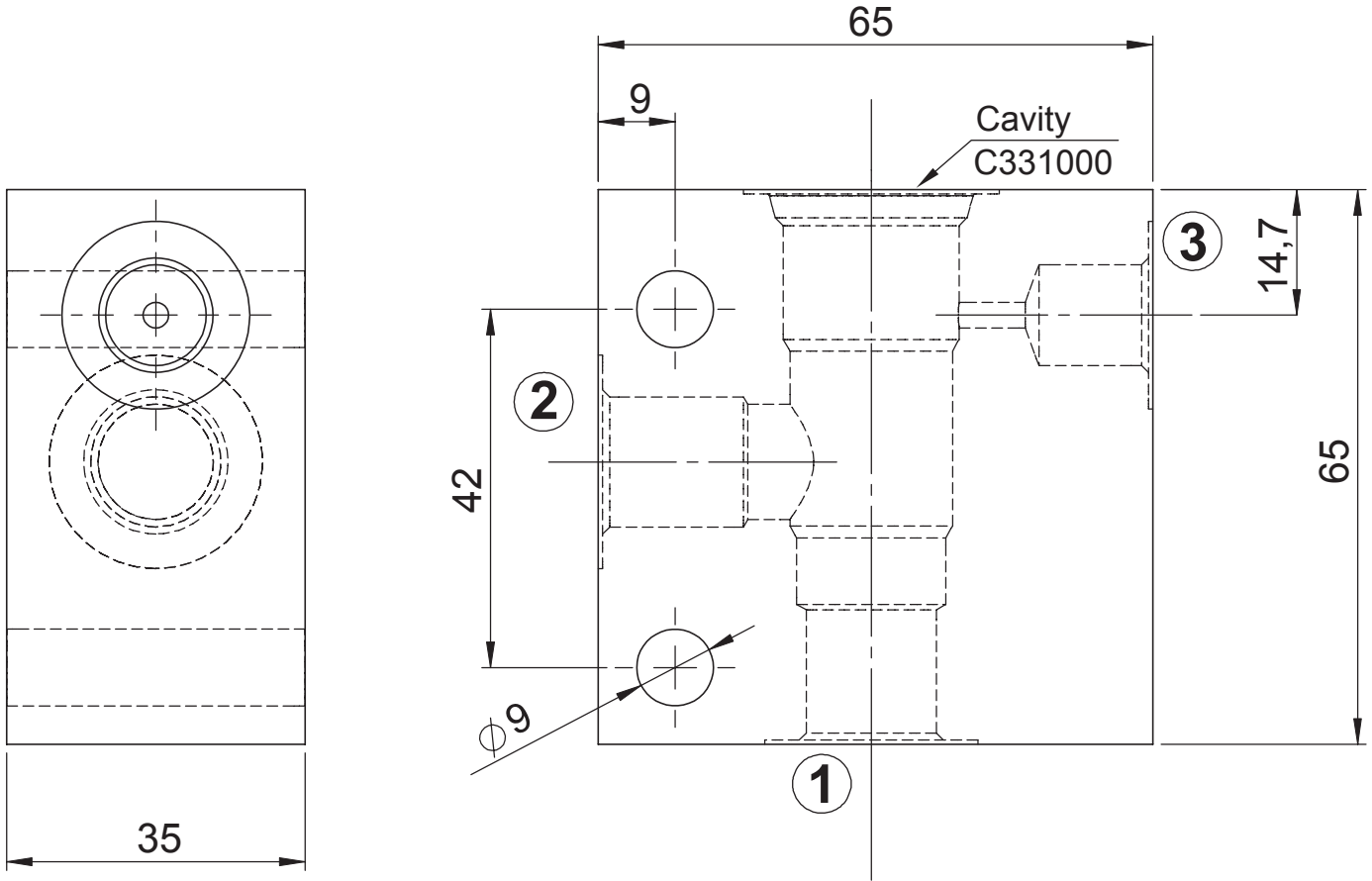
STANDARD BODY FOR LINE MOUNTING



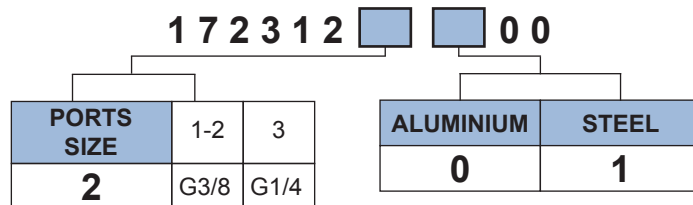
Ordering code



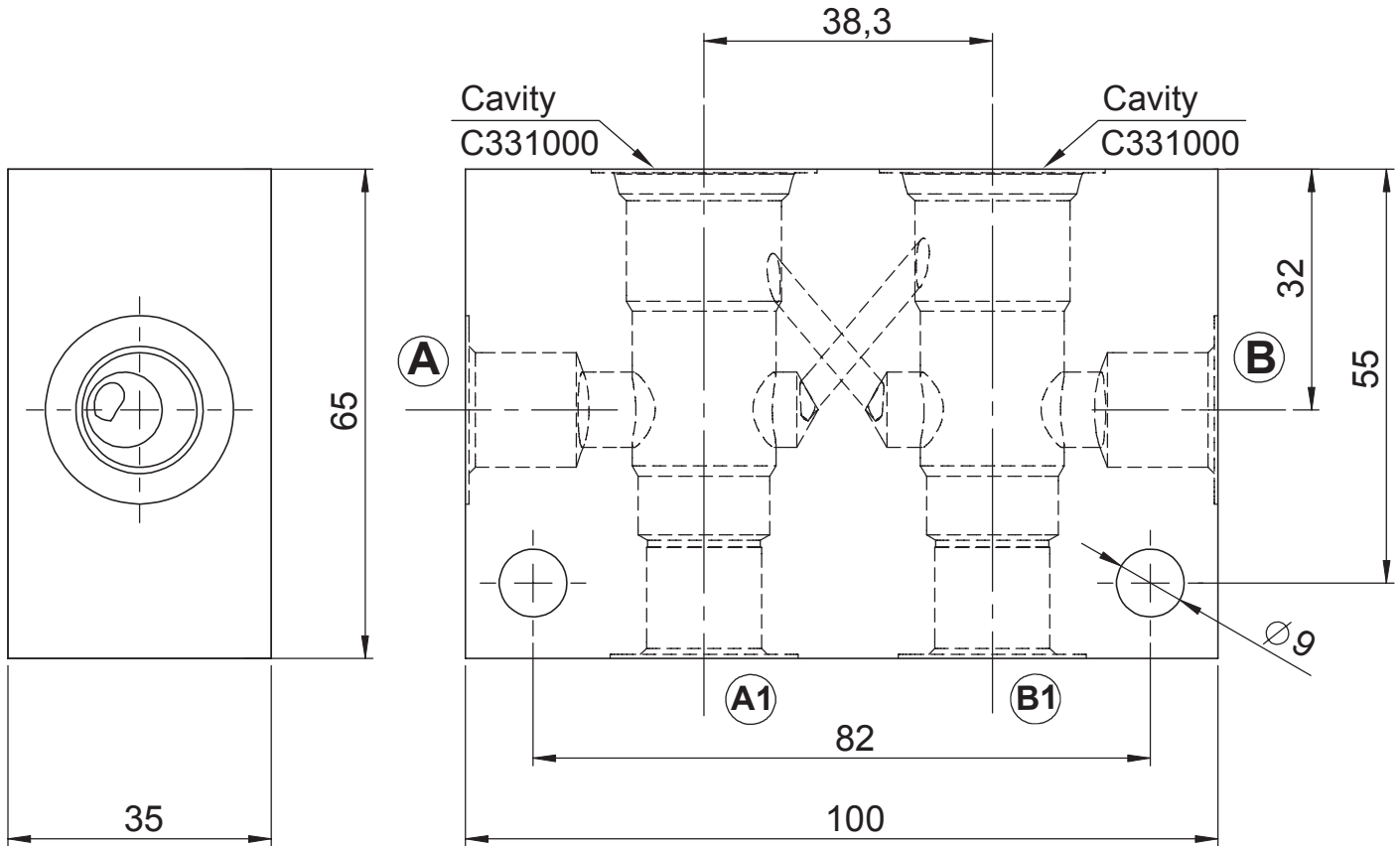
STANDARD BODY FOR LINE MOUNTING COUNTERBALANCE VALVES



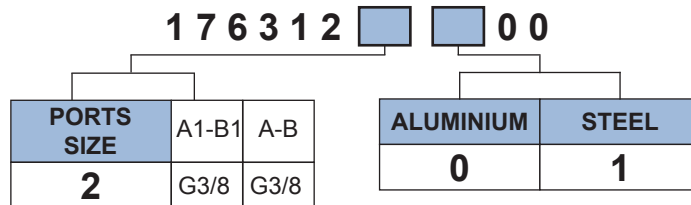
Ordering code



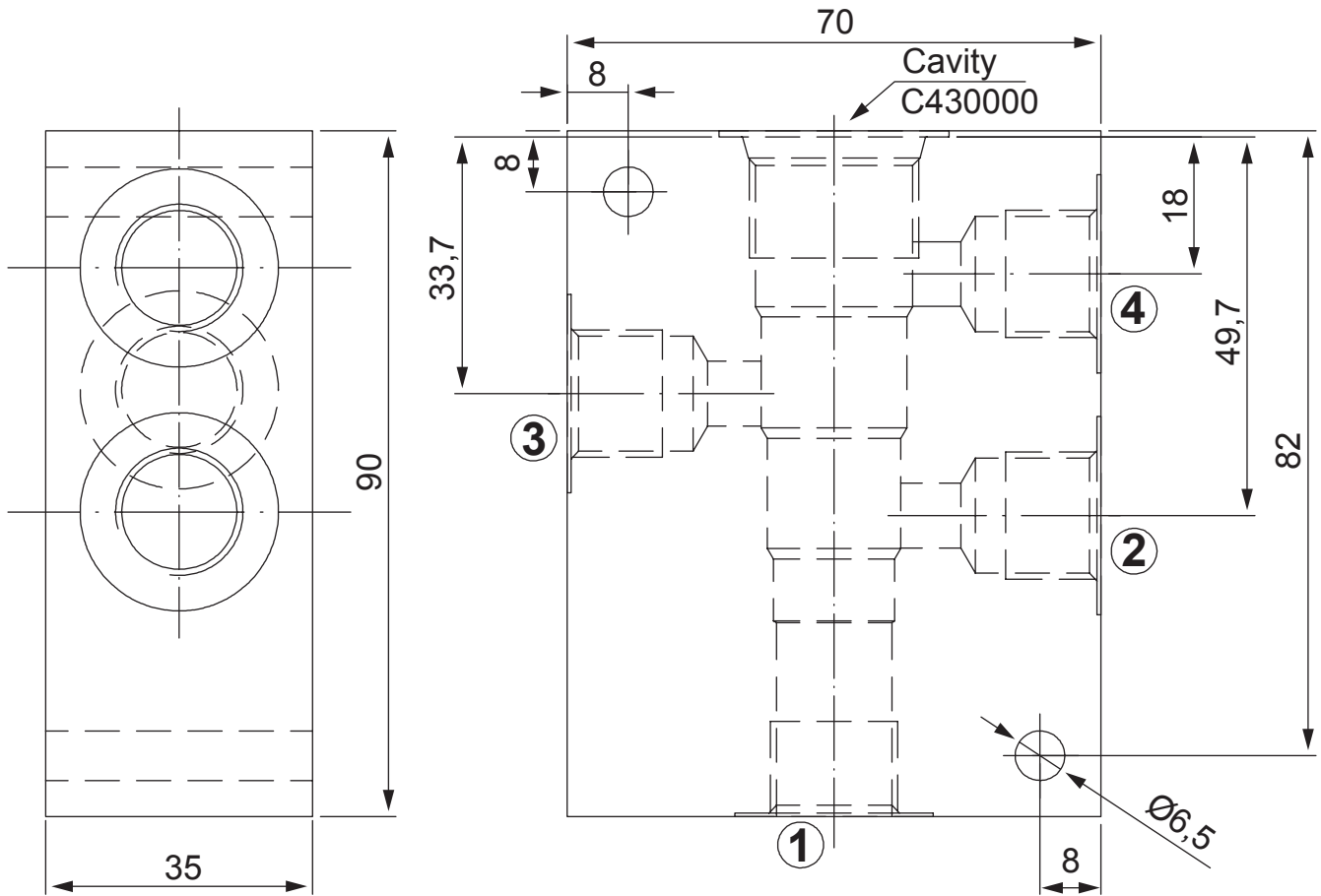
STANDARD BODY FOR LINE MOUNTING COUNTERBALANCE VALVES DOUBLE CAVITY



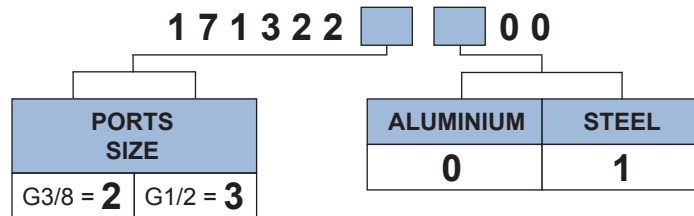
Ordering code



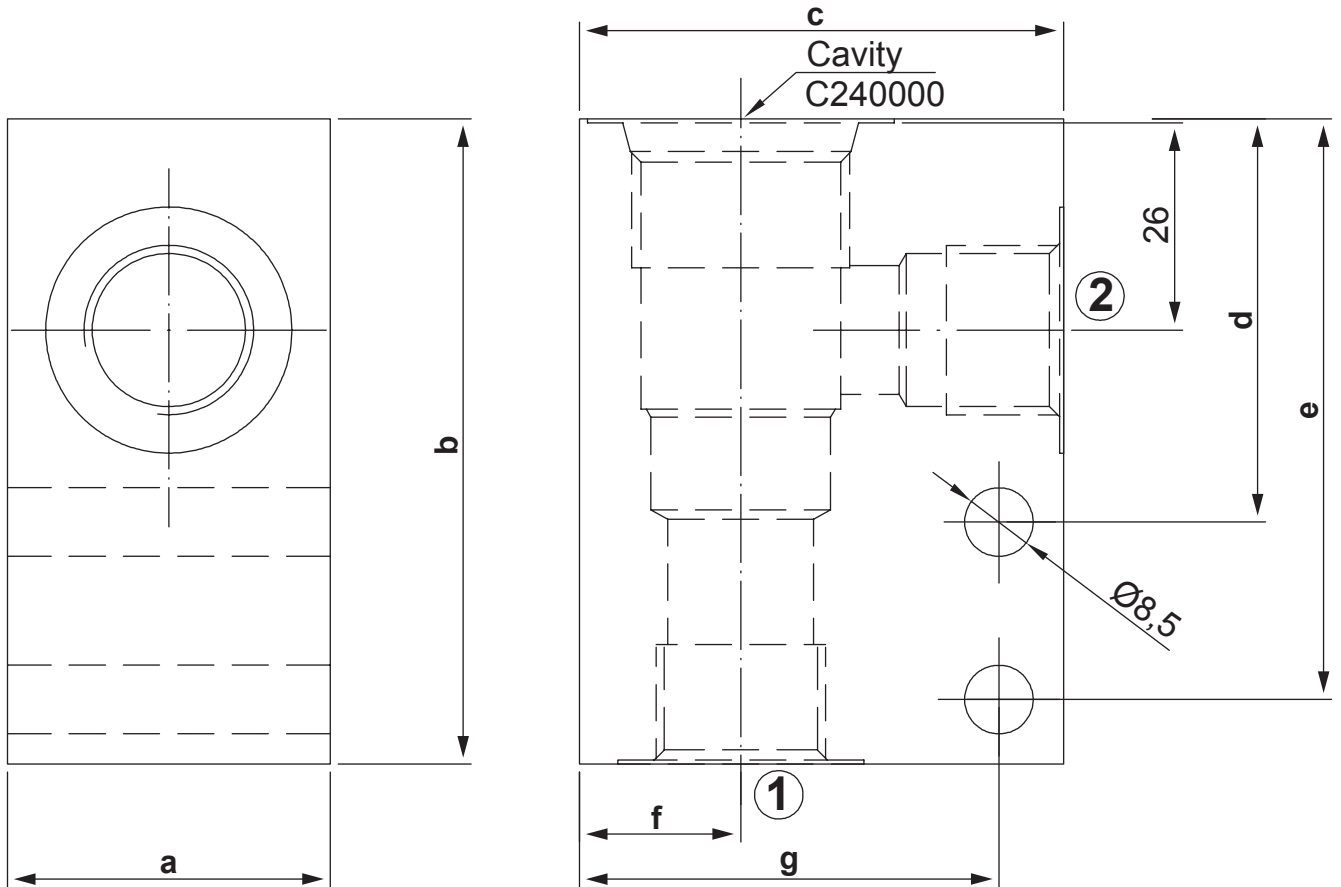
STANDARD BODY FOR LINE MOUNTING



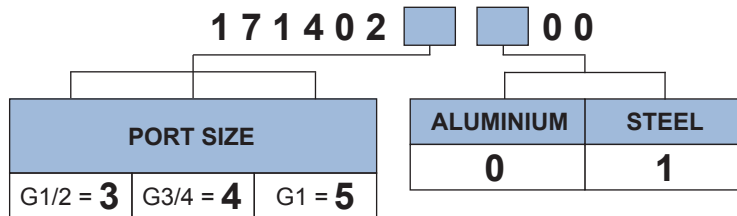
Ordering code



STANDARD BODY FOR LINE MOUNTING

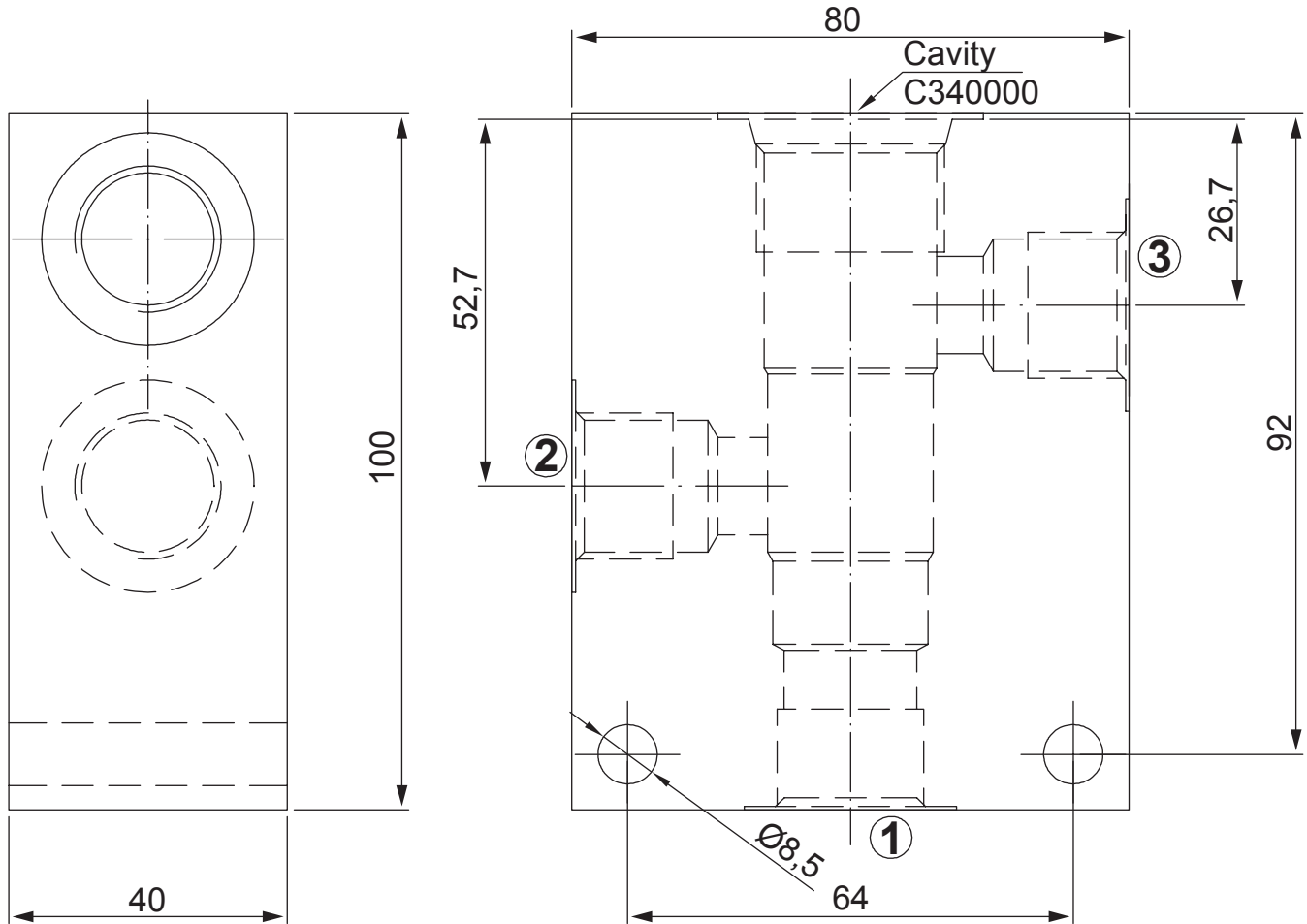


Ordering code

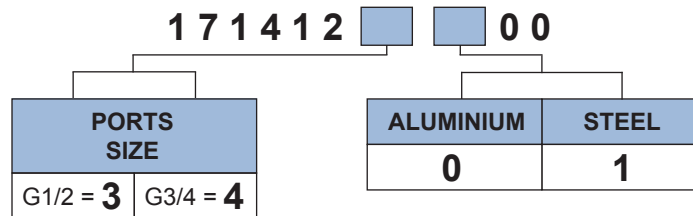


	a	b	c	d	e	f	g
G1/2 = 3	40	80	60	50	72	20	52
G3/4 = 4	40	80	60	50	72	20	52
G1 = 5	50	85	70	55	77	25	62

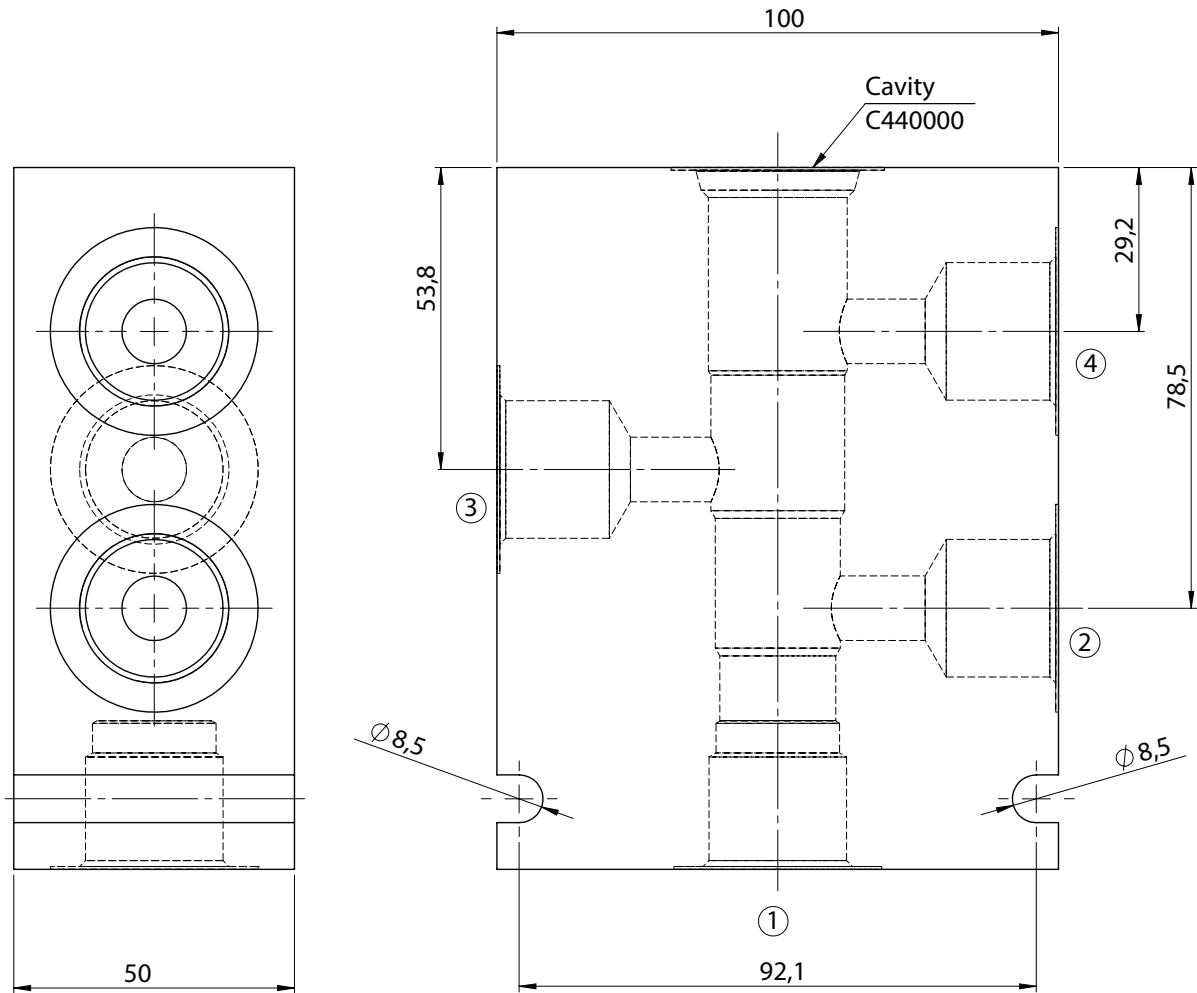
STANDARD BODY FOR LINE MOUNTING



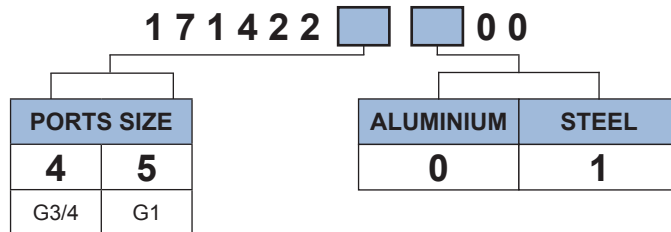
Ordering code



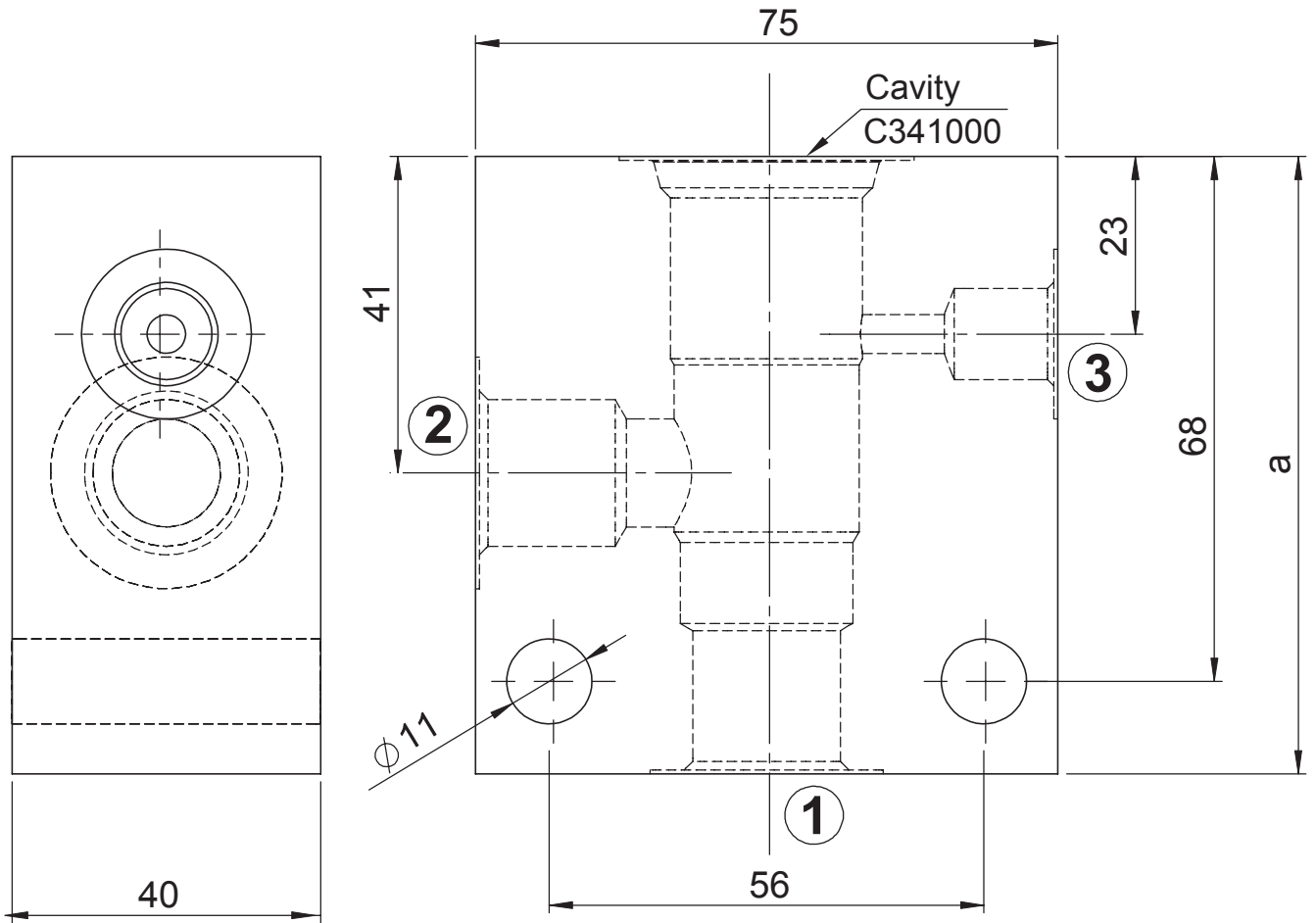
STANDARD BODY FOR LINE MOUNTING



Ordering code



STANDARD BODY FOR LINE MOUNTING COUNTERBALANCE VALVES



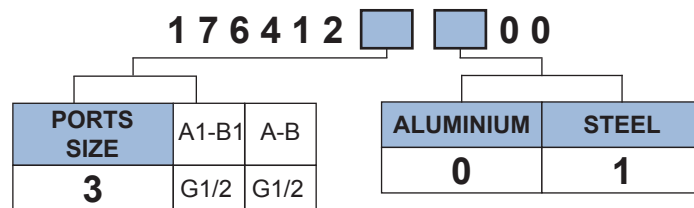
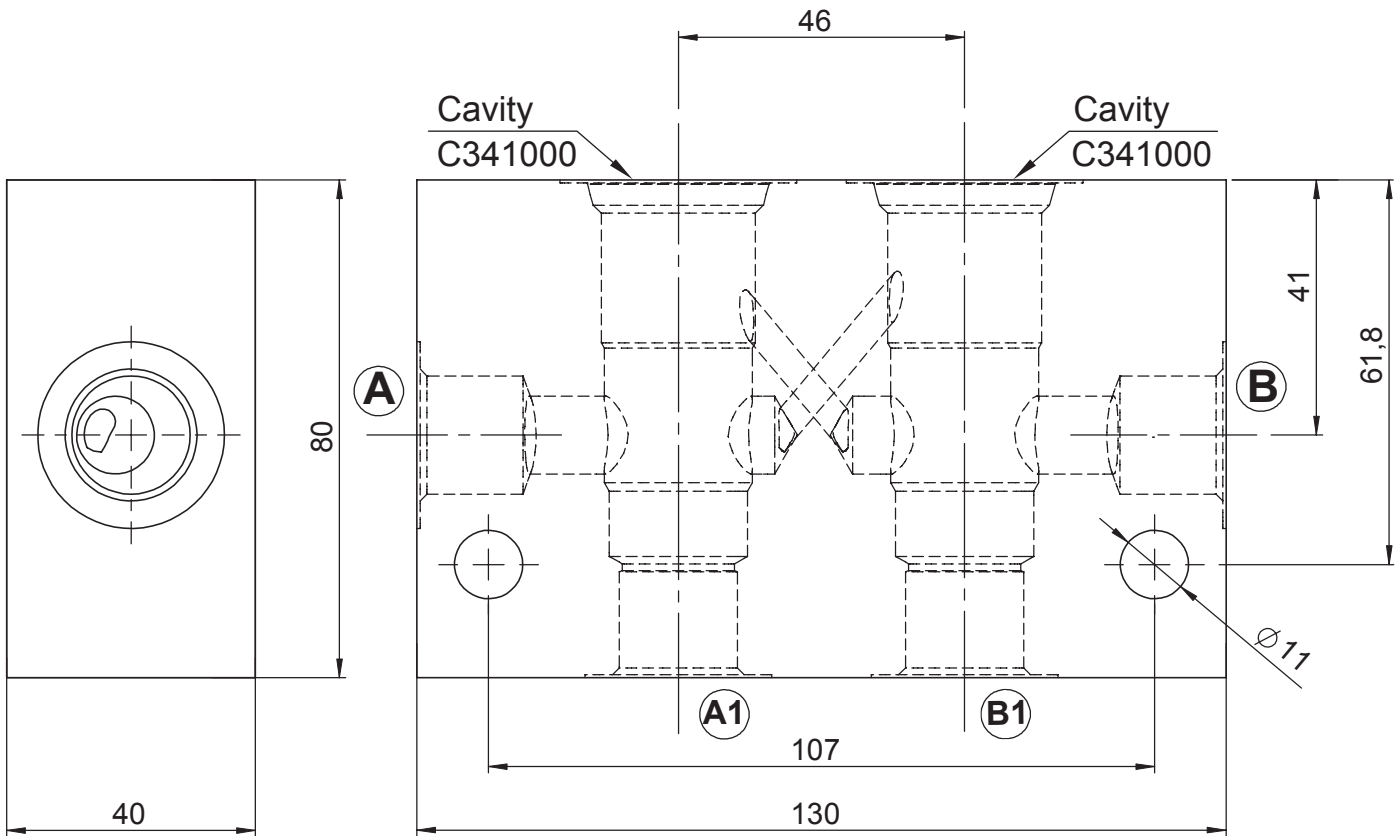
Ordering code

1 7 2 4 1 2 0 0

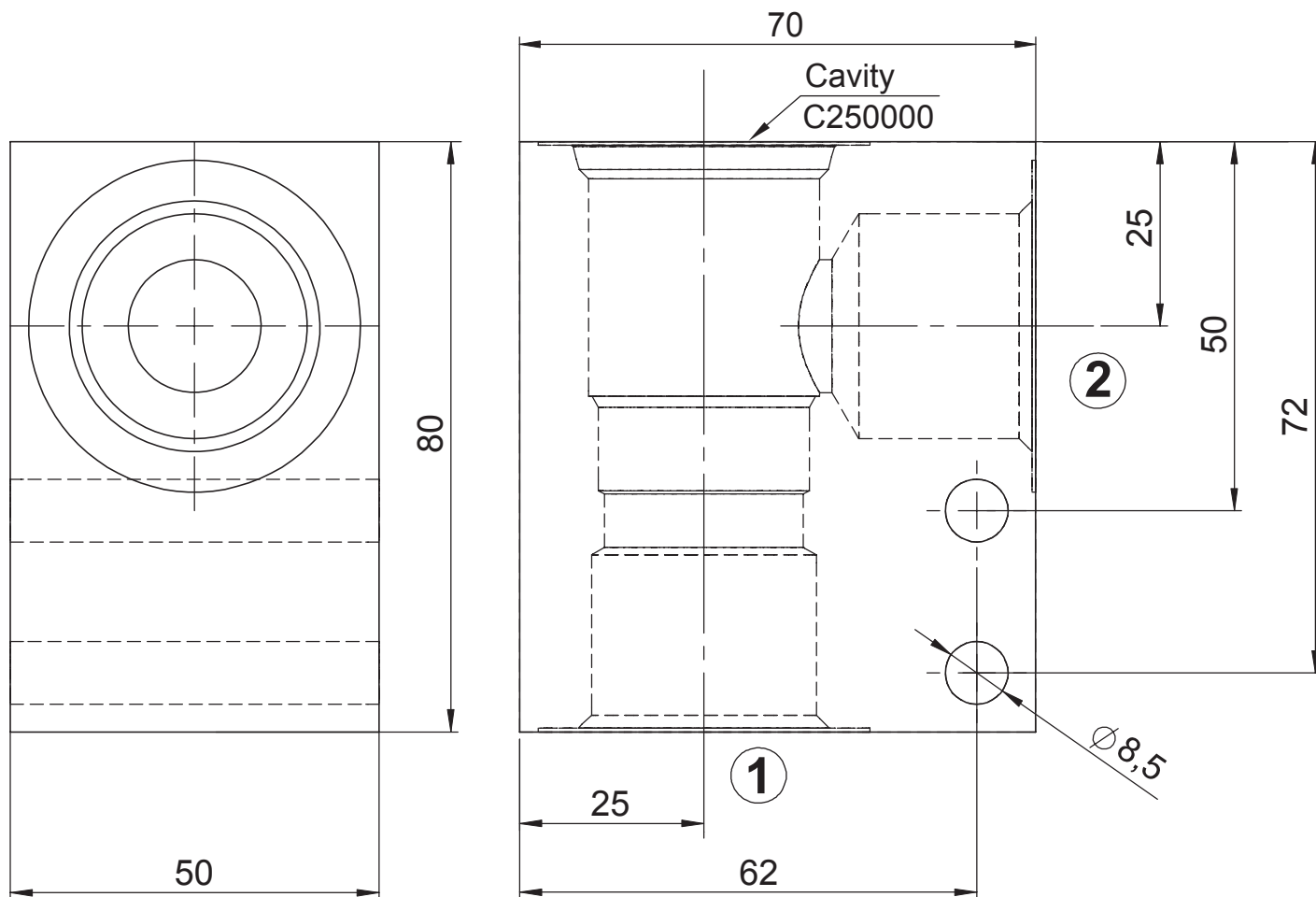
PORTS SIZE		ALUMINIUM	STEEL
	3	0	1
PORTS 1-2	G1/2		
PORT 3	G1/4		
a	80		



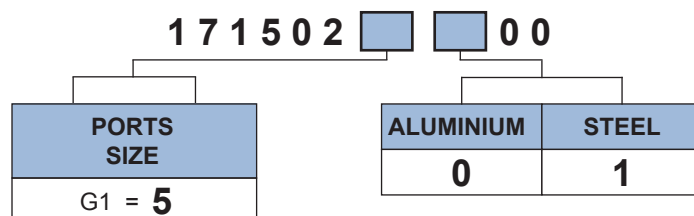
STANDARD BODY FOR LINE MOUNTING COUNTERBALANCE VALVES DOUBLE CAVITY



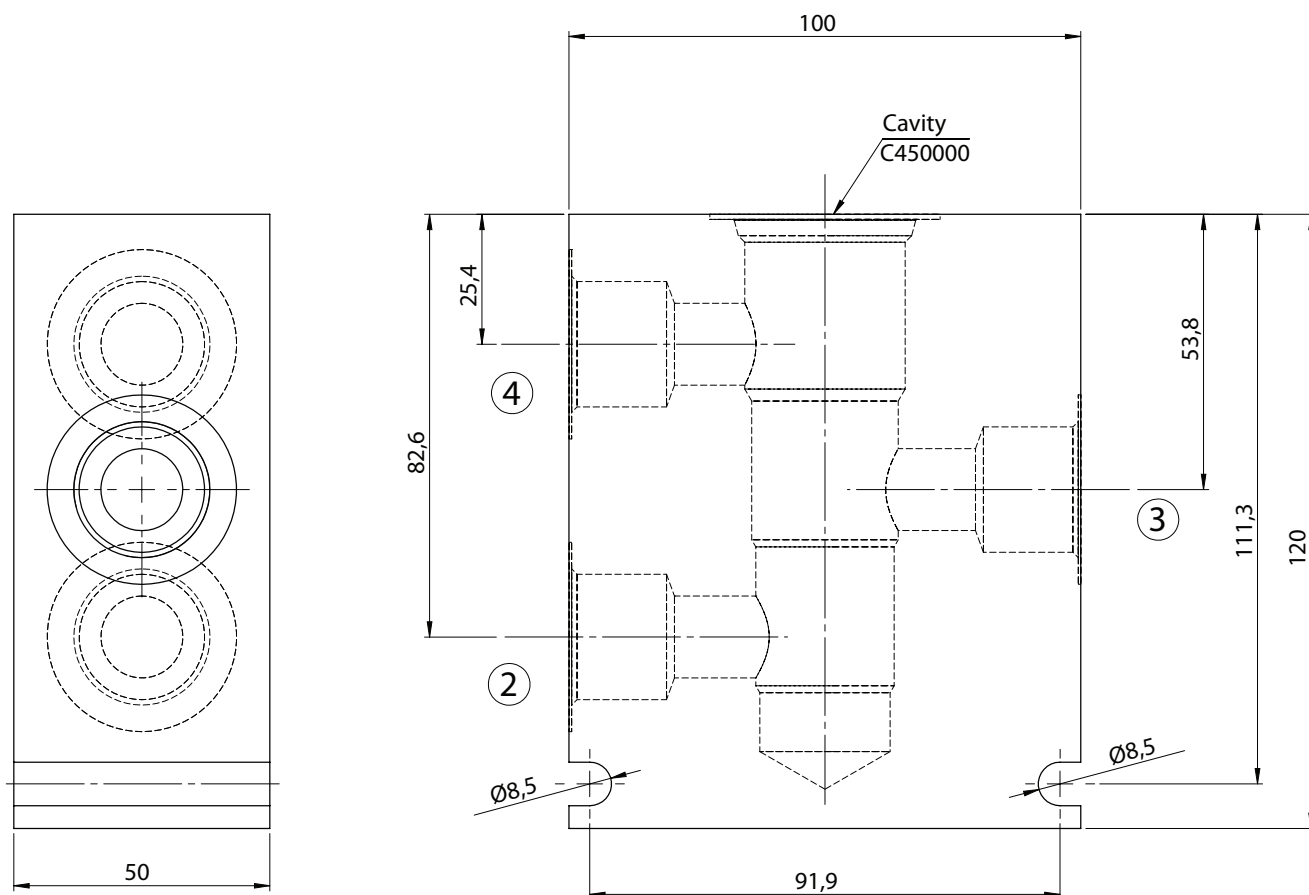
STANDARD BODY FOR LINE MOUNTING



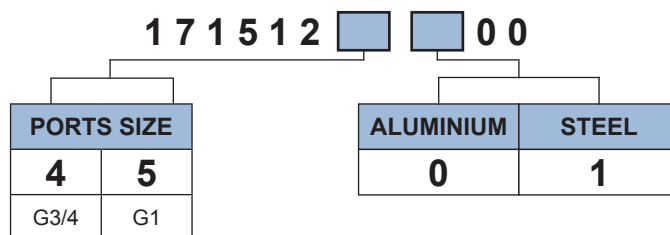
Ordering code



BODY FOR 0825.0 - FLOW DIVIDER / COMBINER



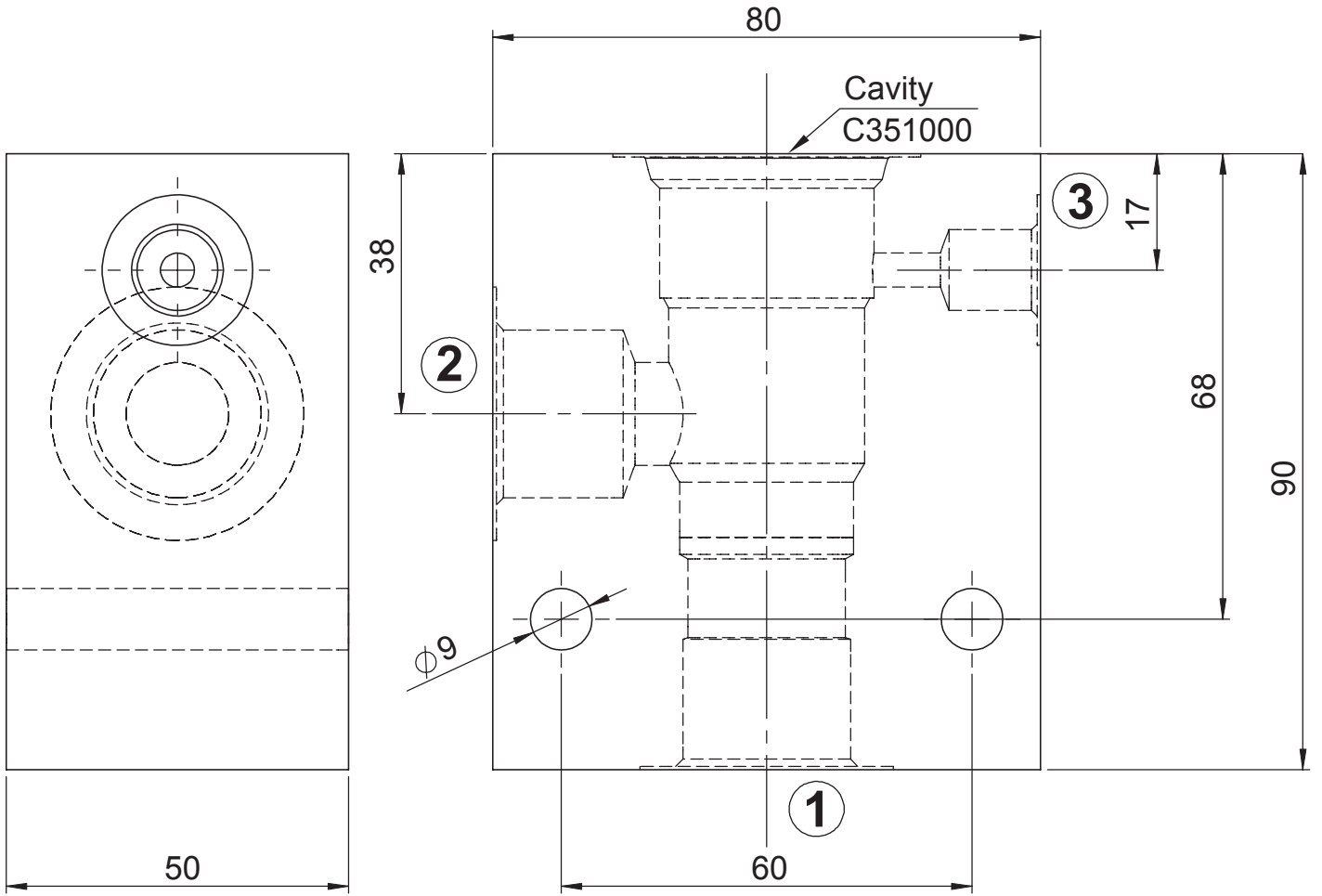
Ordering code



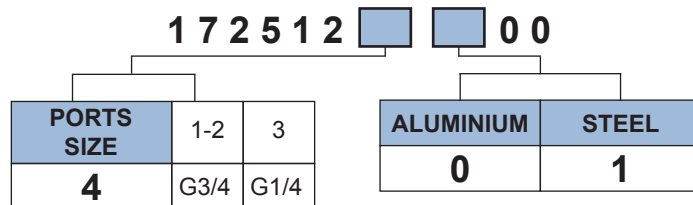
Note:

manifold specific for flow divider/combiner SAE 16 (p/n 0825.0, pag. xxx).

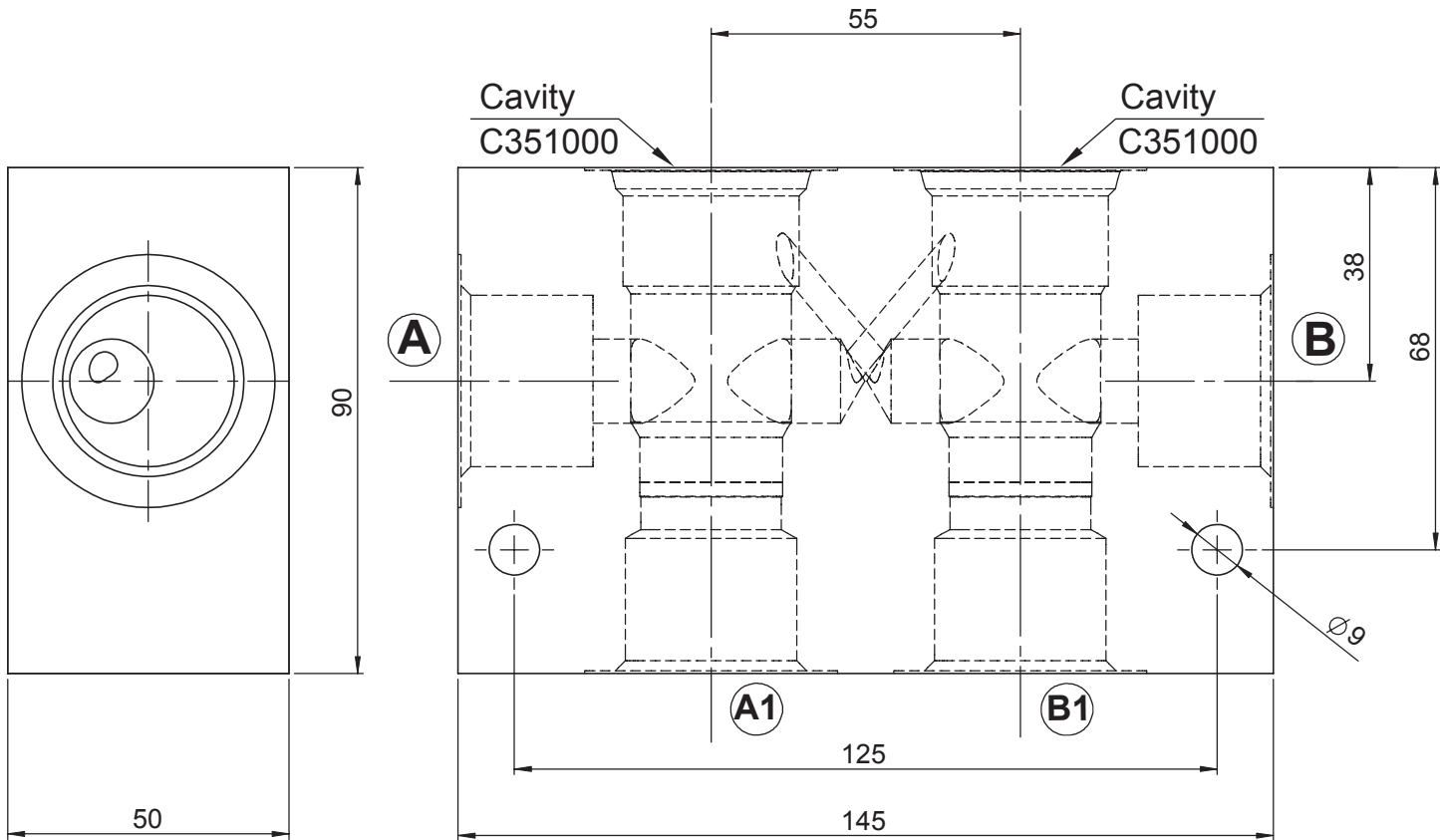
STANDARD BODY FOR LINE MOUNTING COUNTERBALANCE VALVES



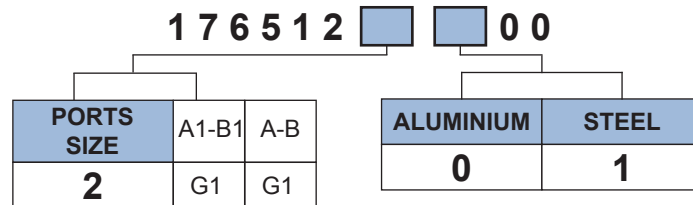
Ordering code



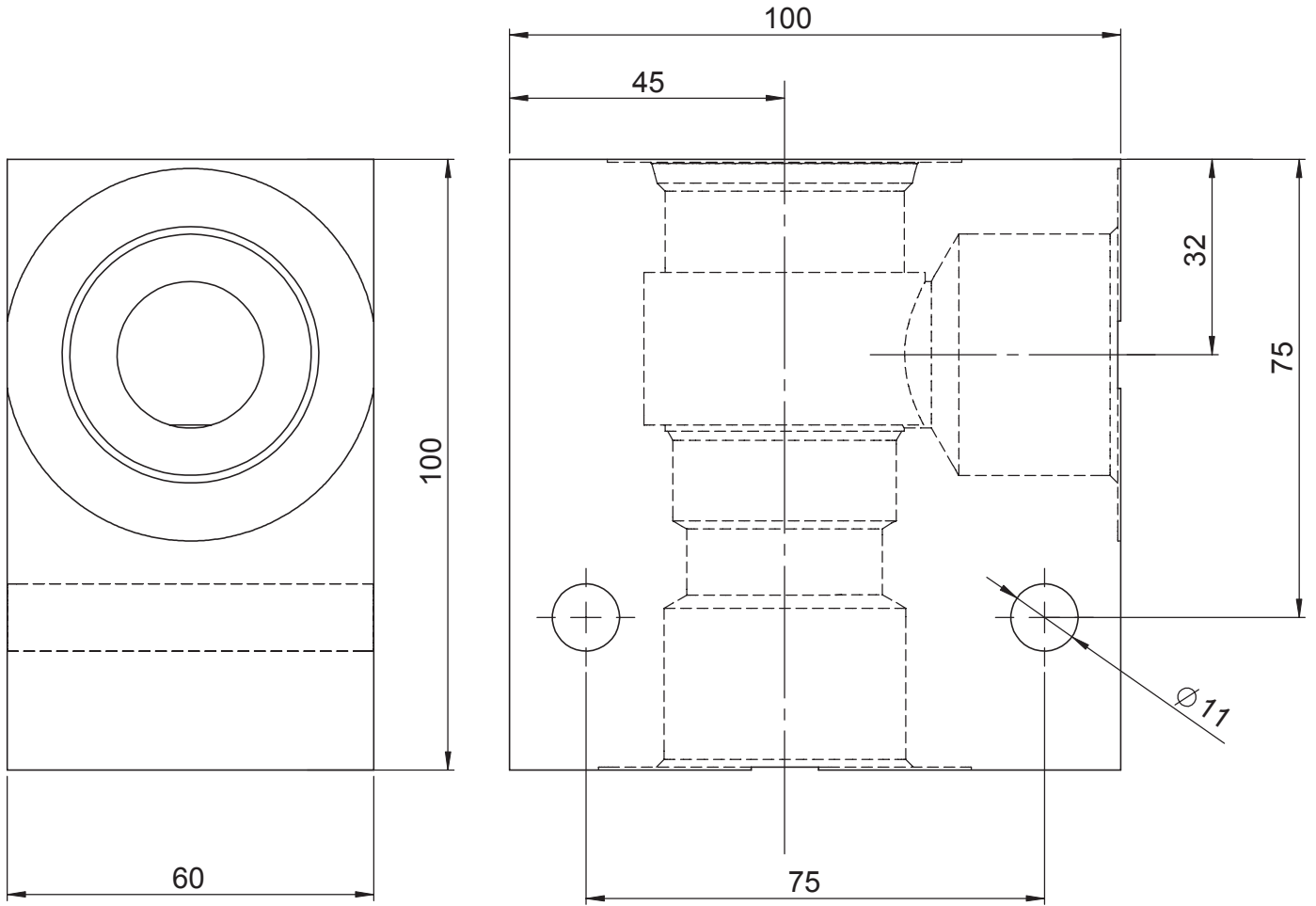
STANDARD BODY FOR LINE MOUNTING COUNTERBALANCE VALVES DOUBLE CAVITY



Ordering code



STANDARD BODY FOR LINE MOUNTING



Ordering code

