

Products to fit any of your needs

Ideas to enhance your performance

NEM, founded in 1995, is a valve manufacturer specialising in the development of hydraulic solutions for mobile, agricultural and industrial applications.

Our goal is to be a reliable partner, providing our customers a state of the art service, delivered by highly qualified technical staff, to achieve customized solutions.

At NEM we are aware that the future of the hydraulic industry is in system engineering. Therefore we are developing and manufacturing top quality products, which can be fully integrated into many different applications. NEM components

ensure the highest level of performance and safety in any application; this, together with our focus on innovation, has gained us the trust and appreciation of leading machine manufacturers worldwide.

NEM's products can count on a wide range of options, from cartridge valves and hydraulic integrated circuits to Parts-In-Body counterbalance valves and flow control valves.

All our products can be selected from our catalogues or customised by NEM's application engineers to develop a se-

lection of valves specifically designed for different applications in order to respond to any of our customer needs.

Last but not least, NEM can also provide its own range of compact directional control valves, rated for metered flows up to 40 L/min.

All these products, together with our innovative solutions for load and flow sensing control valves demonstrate our attitude towards engineering fluid power solutions.

Mechanical and Electrical Cartridge Valves

Pressure control valves	p_{max}	350 bar
Counterbalance valves	Q_{max}	200 L/min
Directional control valves	Cavity	up to SAE 16
Flow control valves		M27x1,5



Parts-in-Body Valves

Counter balance valves	p_{max}	410 bar
PO check valves	Q_{max}	500 L/min
Boom lowering control valves	Ports	up to 1 1/4 SAE6000
Pressure control valves		
Flow control valves		



Hydraulic Integrated Circuits

Weight lifting	p_{max}	350 bar
Earth moving	Q_{max}	200 L/min
Agricultural vehicles		
Industrial vehicles		



Directional Control Valves

Flow sensing	p_{max}	350 bar
Load sensing	Q_{max}	40 L/min
	Ports	BSP 3/8"



Solutions from NEM for Hook and Skip Loaders



Solutions for Hook and Skip Loaders

Hook loader main cylinder valves with basic circuit

A complete range of basic components allows us to design tailor-made products to meet customers specification and layout.

Double acting overcenter valves with or without low speed approach features are part of the NEM hook loader valves range.

NEM hook loader valves have been designed keeping in mind the importance of "low pressure drop equal to efficiency".

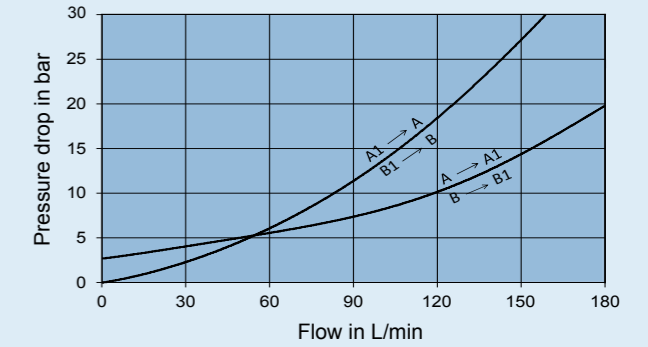
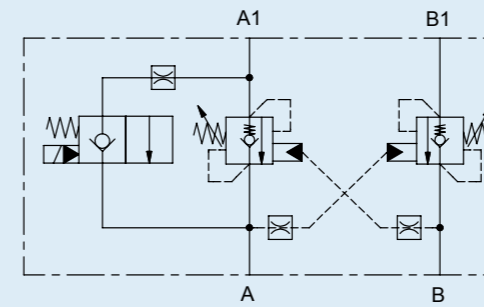
The use of market proven components combined with FEM structural analysis ensure long life to our valves.



Flanged version with basic circuit

Main features

- Pump flow 150 L/min
- Low-speed approach
- Flanged versions 3/4"SAE-3000 PSI
- In-line versions BSP 3/4"
- Coils 14 and 26 VDC
- Connectors DIN, AMP, DEUTSCH

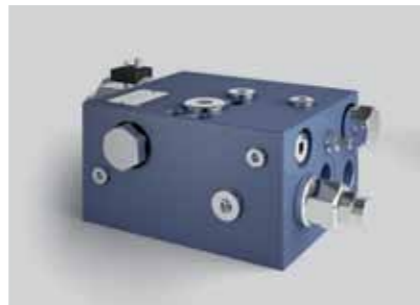


Hook loader main cylinder valves with regenerative circuit

When working speed is critical, the cylinder extension can be improved by valves equipped with regenerative circuits.

NEM's hook loader valves with regenerative circuits include low-speed approach and cut-off circuit, to improve boom force when handling loaded containers. Special solenoid cartridges, specifically designed, allow to switch from conventional extension to regenerative.

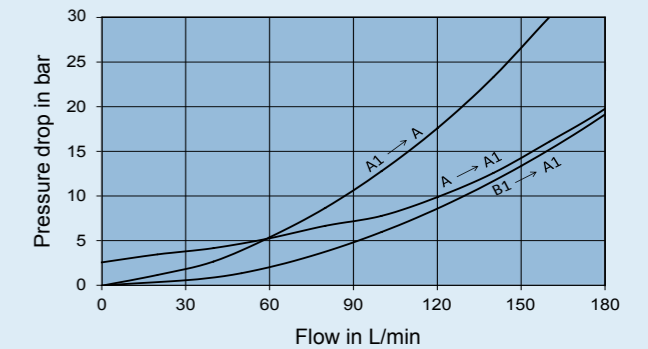
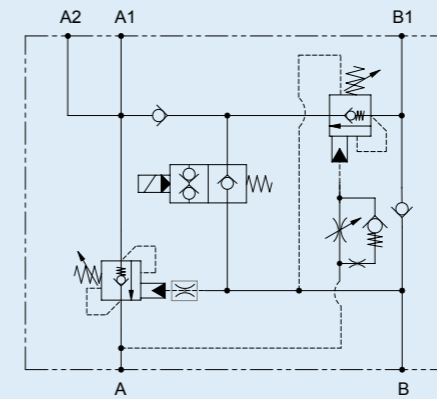
special solenoid cartridges used for this type of function allow to close the flow path in both directions without any additional check valve.



Flanged version with regenerative circuit

Main features

- Pump flow 150 L/min
- Regenerative flow 250 L/min
- Regenerative cut-off function
- Low-speed approach
- Flanged versions 3/4"SAE-3000 PSI
- In-line versions BSP 3/4"
- Coils 14 and 26 VDC
- Connectors DIN, AMP, DEUTSCH



Pilot operated check valves with hardened seat to improve their reliability

The range of pilot-operated check valves includes various layouts: single or double acting, with or without manual shut-off, in-line or flanged mounted. See our General Catalogue Vol.2, for the section dedicated to this type of valve (6D series).

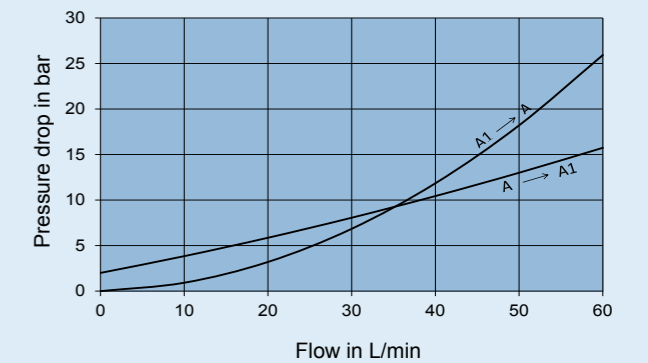
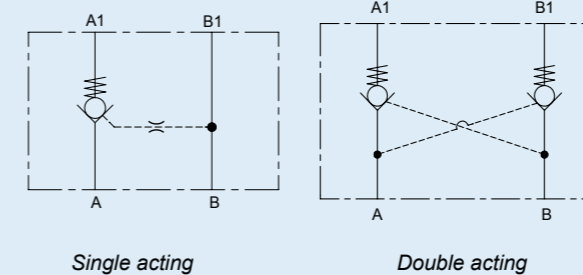
This feature, added to the robust design, further improves the valve reliability regard to oil contamination of your machines.



Pilot-operated check valves (6D series)

Main features

- Nominal flow 60 L/min
- Working pressure 350 bar (steel body)
- Pilot ratio 7:1
- 5:1
- Cracking pressure up to 8.5 bar
- Ports BSP 3/8" BSP 1/2"
- Layouts In-line version Flanged version Single acting Double acting



NEM's pilot-operated check valves for outriggers have also been designed with an eye on to the future.

NEM's range of pilot-operated check valves, flanged or line mounted, can be supplied on request with hardened seats.